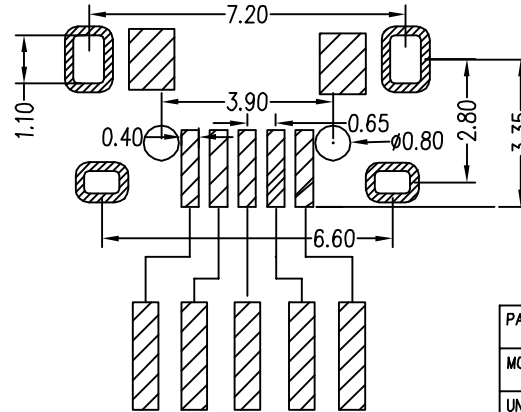
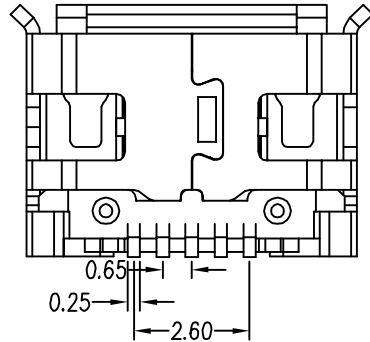
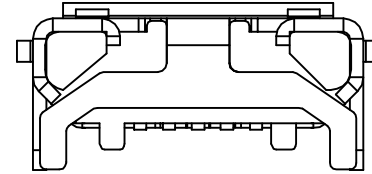
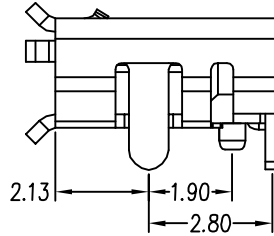
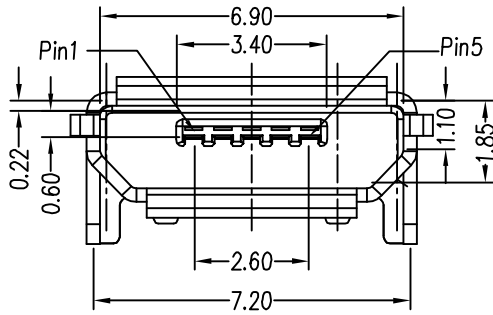
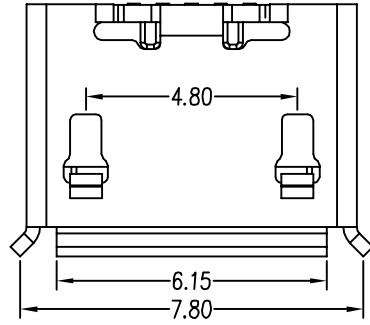


REV.	ECN NO	LOCATIONS	DESCRIPTION	DATE	REVSER	APPD



Notes:

1.Materials:

- 1.1 Housing: High temperature thermoplastic with g.f,UL94 v-0.
- 1.2 Contact: copper alloy,t=0.15mm.
- 1.3 Shell: copper alloy,t=0.30mm.

2.Specifications:

- 2.1. Current rating: 1 A Max.
- 2.2. Dielectric withstanding:voltage: 100 V(ac) for 1 min.
- 2.3. Contact resistance: 50 mW Max.
- 2.4. Insulation resistance: 100 MW Min.
- 2.5. Total mating force: 3.57 Kgf Max.
- 2.6. Total unmating force: 1.0 Kgf Min.0.81~2.05 Kgf Min.after 10000 insertion/extraction cycles
- 2.7. Temperature range: -30°C~+80°C

PART NO: 98-MB05PMXX-01		MATERIAL:		深圳市华宁胜电子科技有限公司	
MODEL NO: FD098		FINSH:			
UNIT: MM	SIZE: A4	COLOR:		TITLE: MIRCO USB 5S B TYPE牛角型D I P6.6/7.5	
TOLERANCE UNSPECIFIED		DR:		DWG NO: A098-01	
.x	±0.25	CHK:		REV: A	
.xx	±0.10	APP:		SCALE: 1:1	
.xxx	±0.05			SHEET: 2008/12/18	
ANG.	±1°				